

EVI-D100 Series

The EVI-D100/D100P models are ideal for applications such as videoconferencing, distance learning and corporate training, surveillance, sports, concerts and internet communications such as webcasting.

Features

High Speed, Wide Range Pan/Tilt

The camera moves to a designated position quickly and immediately with a high pan/tilt speed.

Max. pan speed: 300 degrees/s
(range \pm 100 degrees)

Max. tilt speed: 125 degrees/s
(range \pm 25 degrees).

Quiet Operation

Direct drive motors account for the gear-less structure of the camera, reducing the noise of pan/tilt motion drastically compared to conventional models.

40x Zoom Ratio

(10x Optical + 4x Digital)

The fast and stable auto focus zoom lens reaches impressive 40x zoom ratio.

Built-in Conversion Lens for Wide Angle View (65 degrees)

The EVI-D100/D100P incorporates a newly developed wide-angle lens for wide field of view image capturing, making it ideal for use in small-sized rooms.

Six-position Presets with Battery Back-up

An integral back-up battery stores presets of pan/tilt/zoom, focus position, AE mode and White Balance mode, even when the unit is powered off.



Communication Colour Video Cameras

EVI-D100P (PAL)

EVI-D100 (NTSC)

The Sony EVI-D100 (NTSC) and EVI-D100P (PAL) video cameras are a great choice for any application that requires a high-quality colour video camera with the flexibility of remote pan/tilt/zoom operation, all in a compact easy-to-use package.

These high quality CCD cameras combine a high-speed, quiet pan/tilt with a wide angle of view and 40x zoom. Auto focus and automatic exposure control with back light compensation are fast and stable and can easily cope with difficult lighting conditions. The EVI-D100/D100P models are ideal for applications such as videoconferencing, distance learning and corporate training, surveillance, sports, concerts and internet communications such as webcasting. Additional advantages are provided by easy to use presets, daisy-chaining capability and various digital picture effects.

EVI-D100 Series Specifications

Features

Auto Sleep Function

The camera can be set to automatically turn off when not in use after a specified period of time.

Various Picture Effects

Mirror Image, Still Image on Field Memory, Pastel Image, Negative/Positive Reversal, Enhanced Contrast, etc.

Multi-function IR Remote Commander® unit

Easy to use supplied Remote Commander unit is useful for basic pan/tilt/zoom camera control.

RS-232C Serial Control by VISCATM software

All camera settings and pan/tilt/zoom functions can be controlled remotely via PC.

EVI-D30/D31 Emulation Mode

The EVI-D100/D100P features an EVI-D30/D31 emulation mode that allows users to control their cameras using the same commands as those used for the EVI-D30/D31 cameras.

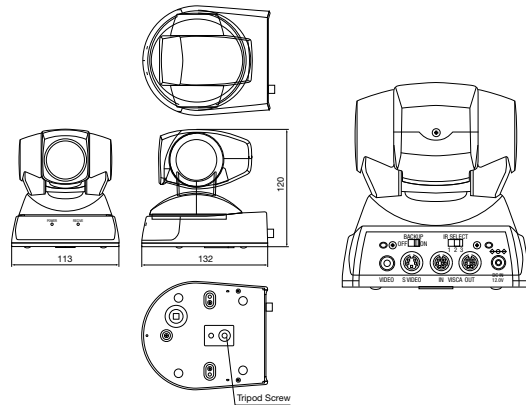
* The EVI-D100/D100P may not emulate the EVI-D30/D31 perfectly due to the hardware differences between the two models.

Optional accessories



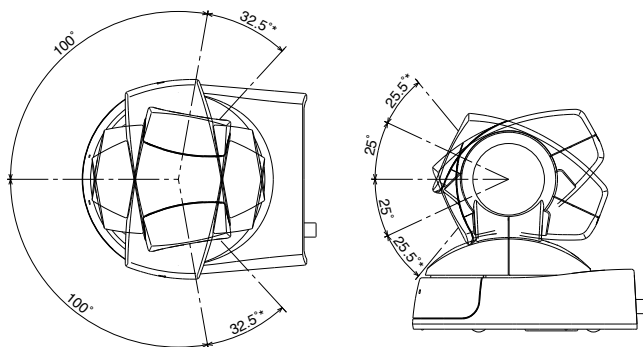
	EVI-D100	EVI-D100P
Video Signal	NTSC	PAL
Image Sensor	1/4 type Super HAD CCD™	
Effective Pixels	768 (H) x 494 (V)	752 (H) x 582 (V)
Horizontal Resolution	470 TV lines (Wide end)	460 TV lines (Wide end)
Lens	10x Optical Zoom, 40x with Digital Zoom, f = 3.1 to 31, F 1.8 to 2.9	
Horizontal Angle of View	6.6 to 65 degrees	
Minimum Object Distance	100 mm (Wide end), 600 mm (Tele end)	
Minimum Illumination	3.5 lx (F1.8)	
Auto Exposure	Auto/Manual/Priority AE, Exposure compensation, Back light Compensation	
Shutter Speed	1/4 to 1/10,000 s	1/3 to 1/10,000 s
White Balance	Auto, ATW, Manual, One Push, 3200K, 5800K	
Effects	Mirror Image, Still Image on Field Memory, Pastel Image, Negative/Positive Reversal, Sepia Image, Monochrome Image, Enhanced Contrast, Mosaic Image, Vertical Stretch, Horizontal Stretch, Motion Image on Still Image, Continuous Still Image, Motion Images on Binaried Still Image, After-image Lag of Moving Object	
S/N Ratio	More than 50 dB	
Pan/Tilt	Horizontal ± 100 degrees (Max speed 300 degrees/s), Vertical ± 25 degrees (Max speed 125 degrees/s) (in 0.07 degrees increments)	
Video Output	VBS, Y/C	
Power Requirements	DC 10.8 to 13.0 V	
Power Consumption	Max. 13.2 W (at 12 Vdc)	
Operating Temperature	0 to 40°C (32 to 40°F)	
Storage Temperature	-20 to 60°C (-4 to 140°F)	
Dimensions	113 (W) x 120 (H) x 132 (D) mm (4 1/2 x 4 3/4 x 5 1/4 inches)	
Mass	860 g (1 lb 14 oz)	
Supplied Accessories	AC adaptor, IR Remote Commander unit, Velcro tape, Operating instruction	

Dimensions



(unit: mm)

Pan/Tilt Range



Distributed by

©2012 Sony Corporation. All rights reserved. Reproduction in whole or in part without written permission is prohibited. Features and specifications are subject to change without notice. The values for weight and dimension are approximate. "SONY", "make.believe" and "EXview HAD CCD II" are registered trademarks of Sony Corporation. All other trademarks are the property of their respective owners.

PHC_27/02/2014

SONY