

FCB-SE600

Sony is expanding its popular FCB block camera series with the introduction of a highly compact, all-in-one colour camera - the FCB-SE600.



Colour Block Cameras

The FCB-SE600 is cleverly designed with a 3x vari-focal lens, Exmor™ sensor, and image processor and interface (I/F) board, all combined in an ultra-compact body. Its petite design goes a long way to reducing the size of finished OEM products.

Ideally suited to surveillance applications, the FCB-SE600 incorporates a 1/2.8-type Exmor CMOS sensor that achieves Full HD resolution (1080p 30) and superb sensitivity in low light environments. In addition, the FCB-SE600 features a 3x vari-focal lens with motorized zoom capability and One push AF (auto focus) function. The FCB-SE600 also inherits some of the unique features of Sony's popular FCB Series cameras such as Auto Exposure, Auto ICR, Auto Wide-Dynamic, Privacy Zone Masking, and Noise Reduction.

These outstanding features and benefits, coupled with its smart size, make the FCB-SE600 ideal for demanding applications such as video surveillance, public transportation, sports, video conferencing, and more.

Features

Compact Size

The FCB-SE600 is a highly compact, all-in-one camera that can be easily integrated into space-restricted environments such as a such as 3 cm mini-dome enclosure.

Motorized Zoom and One push AF

The FCB-SE600 features a wide-angle 3x vari-focal lens which allows for motorized zoom and focus even when in 90-degree wide view. This camera can be easily integrated in mini-domes requiring a wider view of monitoring areas. In addition, the camera offers a One push AF function for ease of use.

Full HD Superb Picture Quality

Boasting approximately 3.27 megapixels, the FCB-SE600 produces Full HD (1080p 30) image quality to deliver high-resolution images for demanding applications.

High Sensitivity

By incorporating Sony's reputable Exmor CMOS sensor technology, the FCB-SE600 captures high-quality images even in low light environments.

Rich Security Features

The FCB-SE600 camera includes the renowned security features of the FCB Series, such as Auto Exposure, Auto ICR, Auto Wide-Dynamic, Privacy Zone Masking, Motion Detection, Temperature Readout, and Noise Reduction. These features enable the camera to be used in a wide variety of security applications without the need for additional external devices or software.

FCB-SE600 Specifications

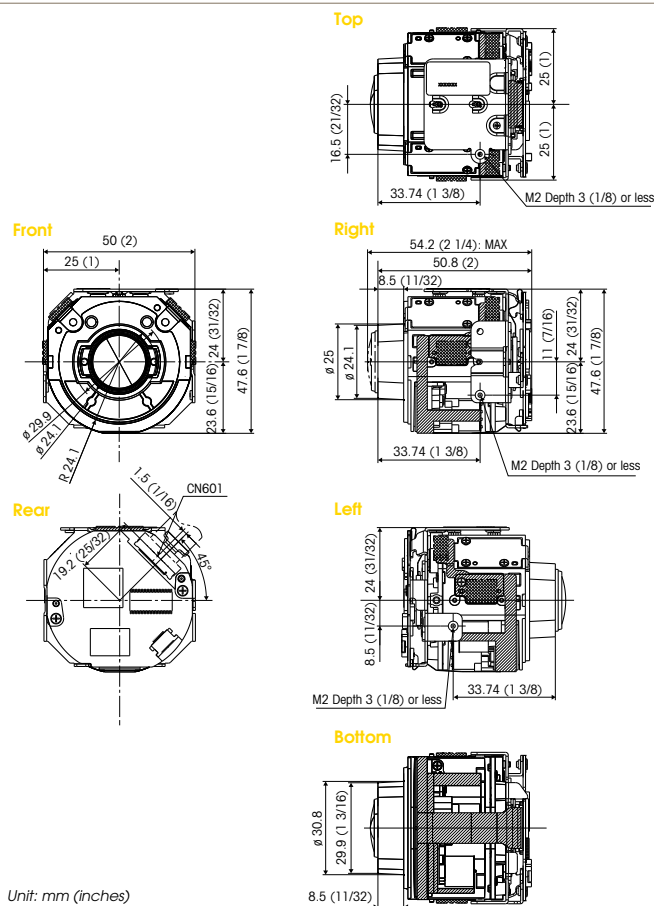
Pin assignment & connector

CN601

30-pin Micro Coaxial Connector (US100-30L-C, KEL Corp.)
(for power supply/communication/video out (digital))

| Pin No. | Name | Level |
|---------|-------------|--|
| 1 | TXOUT3+ | LVDS |
| 2 | TXOUT3- | LVDS |
| 3 | TXCLKOUT+ | LVDS |
| 4 | TXCLKOUT- | LVDS |
| 5 | TXOUT2+ | LVDS |
| 6 | TXOUT2- | LVDS |
| 7 | TXOUT1+ | LVDS |
| 8 | TXOUT1- | LVDS |
| 9 | TXOUT0+ | LVDS |
| 10 | TXOUT0- | LVDS |
| 11 | GND | |
| 12 | TxD | CMOS 5 V (at 5 V DC IN, Low: Max. 0.1 V, High: Min. 4.4 V) |
| 13 | RxD | CMOS 5 V (at 5 V DC IN, Low: Max. 0.8 V, High: Min. 2.0 V) |
| 14 | DC IN | 5 V to 5.5 V DC |
| 15 | DC IN | 5 V to 5.5 V DC |
| 16 | DC IN | 5 V to 5.5 V DC |
| 17 | DC IN | 5 V to 5.5 V DC |
| 18 | DC IN | 5 V to 5.5 V DC |
| 19 | GND | GND |
| 20 | GND | GND |
| 21 | GND | GND |
| 22 | GND | GND |
| 23 | GND | GND |
| 24 | GND | GND |
| 25 | ONE PUSH AF | Active: Low (GND) Normal: Open |
| 26 | RESET IN | RESET: Low (GND) Normal: Open |
| 27 | FOCUS FAR | Active: Low (GND) Normal: Open |
| 28 | FOCUS NEAR | Active: Low (GND) Normal: Open |
| 29 | ZOOM WIDE | Active: Low (GND) Normal: Open |
| 30 | ZOOM TELE | Active: Low (GND) Normal: Open |

Dimensions



Unit: mm (inches)

| Camera | FCB-SE600 |
|---|---|
| Image Sensor | 1/2.8-type Exmor CMOS |
| Image Sensor (Number of effective pixels) | Approx. 3.27 Megapixels |
| Image Size | 1920 x 1080 1280x 720 |
| Signal System (HD) | 1080p/30, 1080p/25, 1080i/60 (30 PsF), 1080i/50 (25 PsF) 720p/60, 720p/50, 720p/30, 720p/25 |
| Minimum illumination (50%, High sensitivity mode) | 0.25 lx (F1.2, ICR off) 0.03 lx (F1.2, ICR on) |
| Minimum illumination (50%, Normal mode) | 1.0 lx (F1.2, ICR off) 0.1 lx (F1.2, ICR on) |
| Recommended Illumination | 100 lx to 100,000 lx |
| Gain | Auto/Manual : -3 dB to +28 dB, +2 dB step/total 16 steps Max. Gain Limit: +6 dB to +28 dB, +2 dB step/total 12 steps |
| Shutter Speed | 1/1 to 1/10,000 s, total 22 steps |
| Sync System | Internal |
| AE Control | Auto, Manual, Priority mode (shutter priority & iris priority), Bright, EV compensation, Slow AE |
| Backlight Compensation | Yes |
| Aperture Control | 16 steps |
| White Balance | Auto, ATW, Indoor, Outdoor, Outdoor Auto, Sodium Vapor Lamp (Fix/Auto), One-push, Manual |
| Lens | Motorized 3x Vari-focal lens f=3.0 mm (wide) to 9.0 mm (tele) F1.2 to F2.1 |
| Digital Zoom | 12x (36x with optical zoom) |
| Focusing System | One push AF, Manual focus |
| Angle of View (H, 1080p mode) | Approx. 90° (wide) to 32° (tele) |
| Angle of View (H, 720p mode) | Approx. 60° (wide) to 21° (tele) |
| Minimum Object Distance | 300 mm |
| Camera Features | |
| Auto ICR | Yes |
| Wide-D* | Yes (On/Off/Auto)** |
| Noise Reduction | Yes (On/Off, On: Level 5 to 1) |
| Image Stabilization | No |
| Digital Output | Yes |
| Spherical Privacy Zone Masking | Yes |
| Motion Detection | Yes |
| Alarm | No |
| Slow AE Response | Yes (Approx. 5 minutes) |
| Picture Effects | Yes (E-Flip, Nega Art, Black & White, Mirror image, enhancement) |
| Picture Freeze | Yes |
| Slow Shutter | Yes (Auto: Up to 1/4s for 1080p/30, 1/3s for 1080p/25) |
| Temperature Readout | Yes |
| Title Display | Yes (20 characters/line, max. 11 lines) |
| Camera Mode Display | Yes |
| Key Switch Control | Yes |
| Camera Operation Switch | No |
| Preset | 6 positions |
| Interfaces | |
| Video Output | Digital Y/Pb/Pr 4:2:2, LVDS*** |
| Camera Control Interface | VISCA (CMOS 5 V level) Baud rate: 9.6 Kbps, 19.2 Kbps, 38.4 Kbps Stop bit: 1 bit |
| General | |
| Power Requirements | 5 V to 5.5 V DC |
| Power Consumption | Less than 1.2 W (zoom/focus inactive) |
| Operating Temperature | -5 °C to +60 °C |
| Storage Temperature | -20 °C to +60 °C |
| Operating Humidity | 20% to 80% |
| Storage Humidity | 20% to 95% |
| Dimensions (W x H x D) | 50.0 x 47.6 x 53.4 mm (2 x 1 7/8 x 2 1/8 inches) |
| Mass | Approx. 83 g (3 oz) |

* Wide dynamic range

** Half frame rate at Off mode 15fps in 1080p/30

*** Separate H/V/F sync (SAV/EAV signal is not supported)

Distributed by

©2012 Sony Corporation. All rights reserved. Reproduction in whole or in part without written permission is prohibited. Features and specifications are subject to change without notice. The values for weight and dimension are approximate. "SONY", "make.believe" and "ExView HAD CCD II" are registered trademarks of Sony Corporation. All other trademarks are the property of their respective owners.

PHC_27/02/2014

SONY